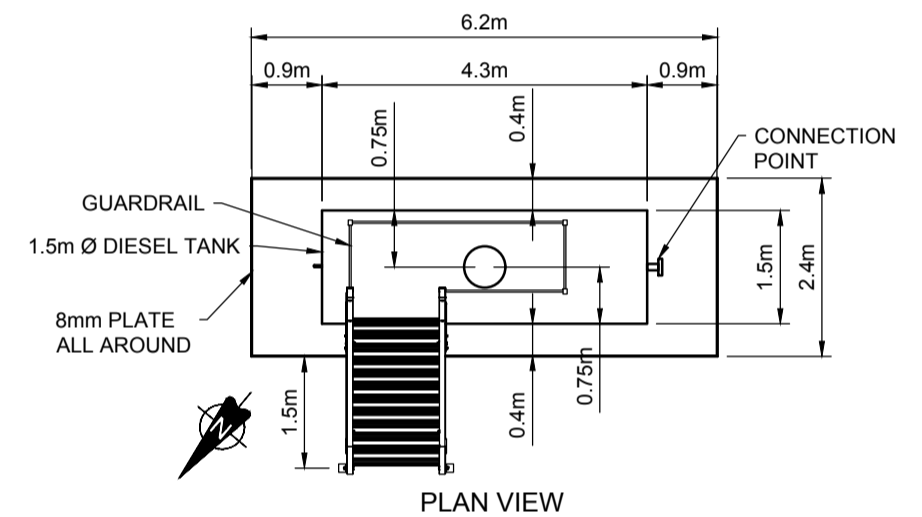
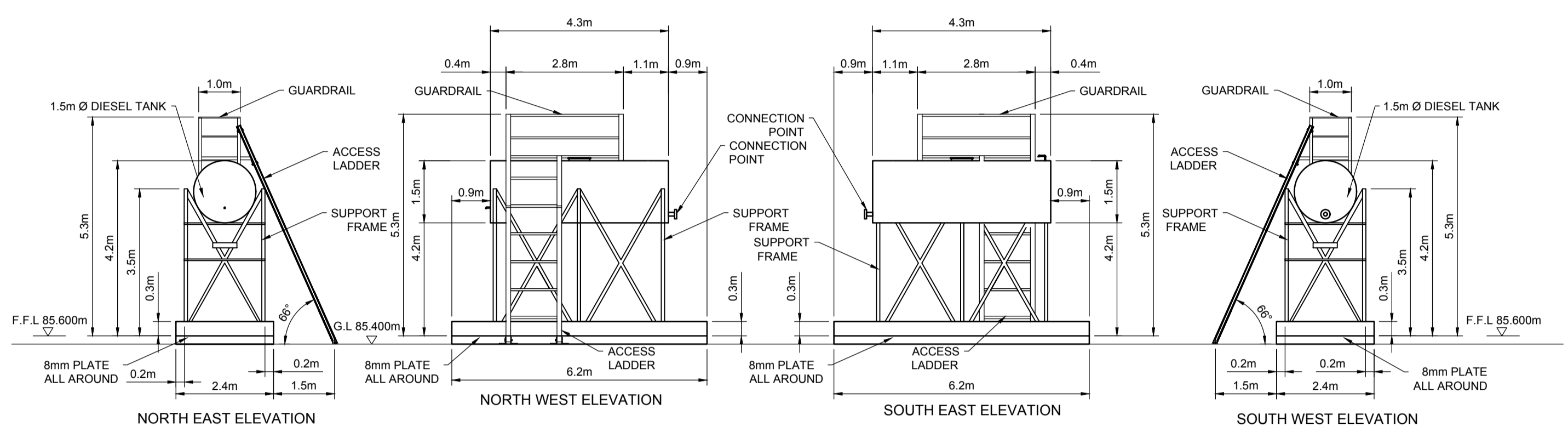
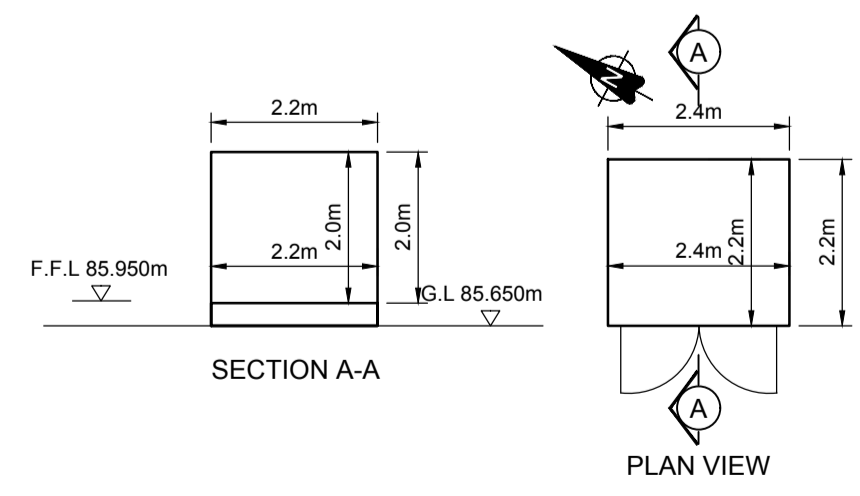
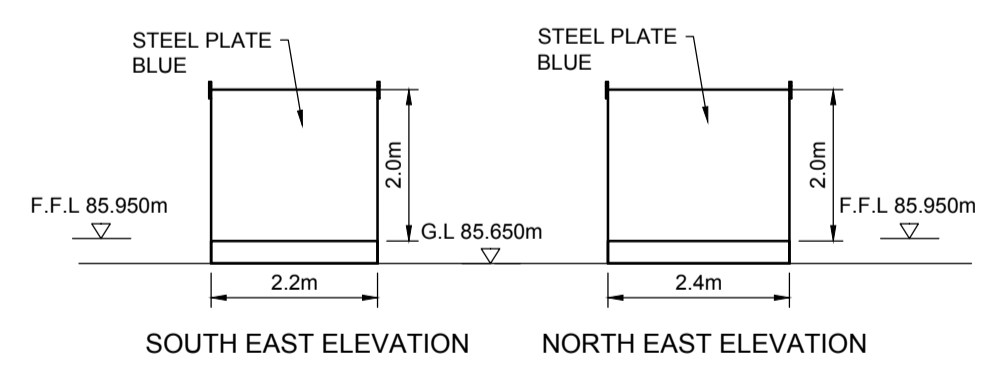
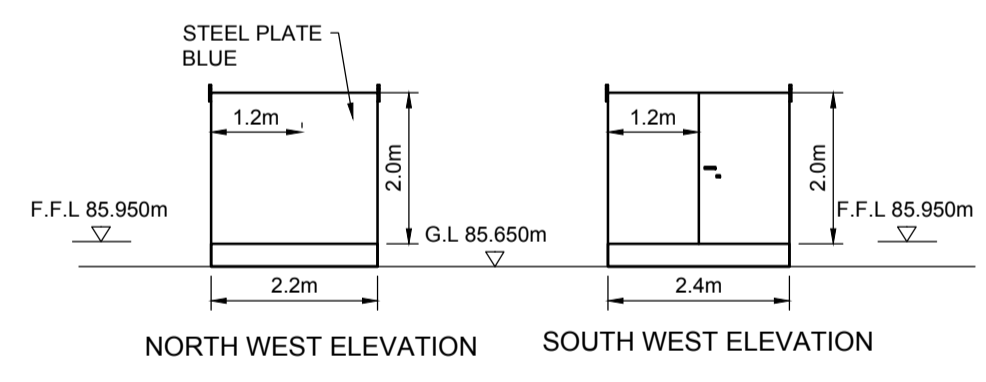


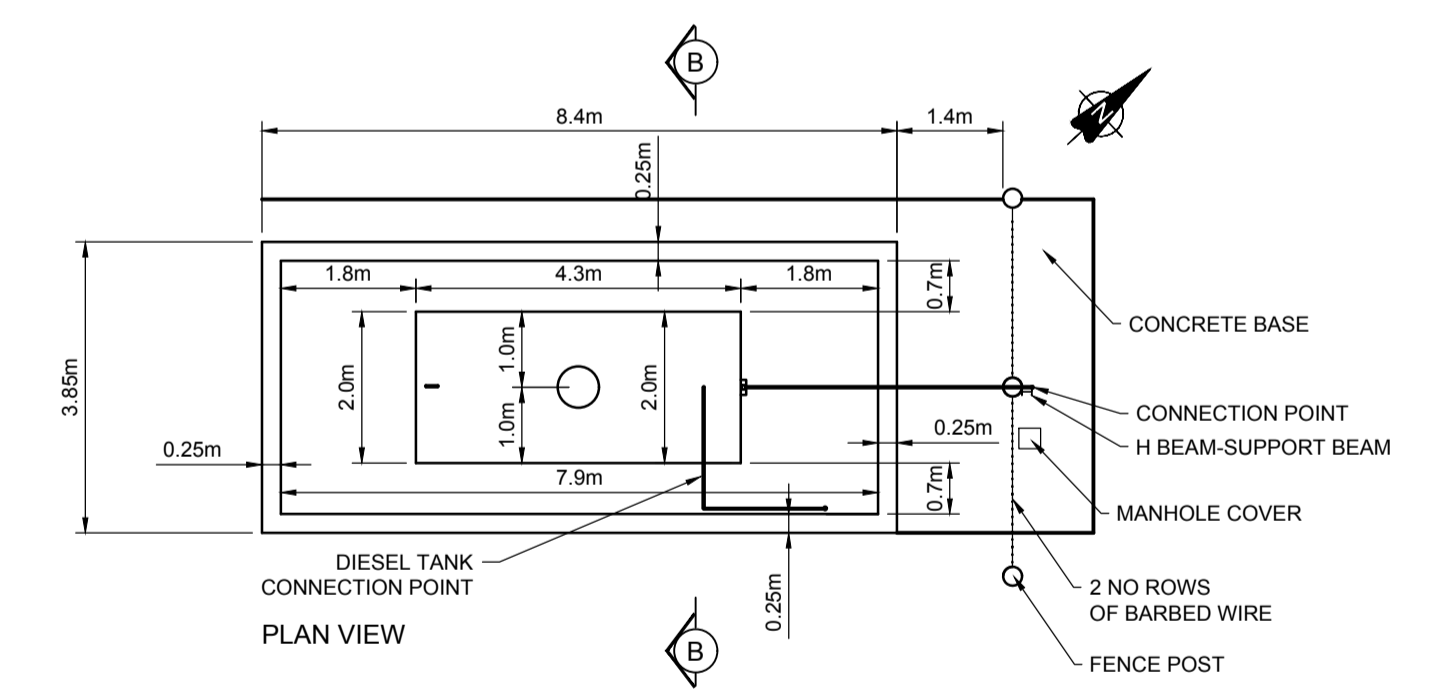
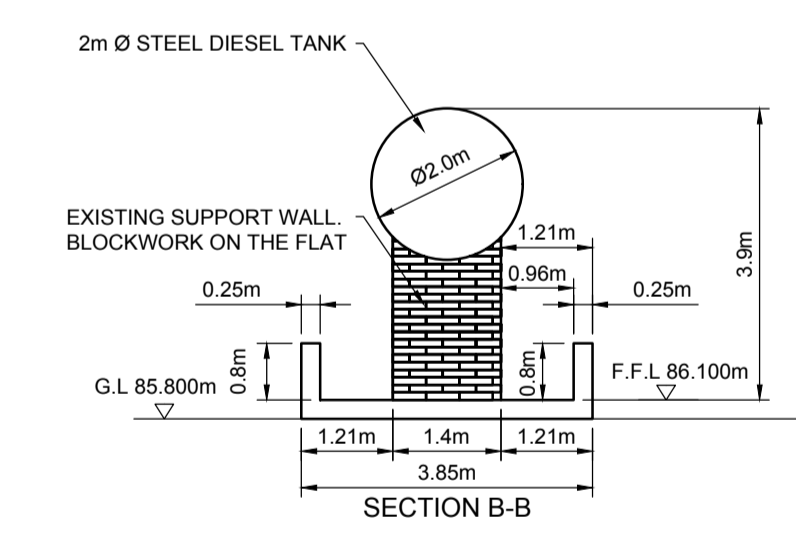
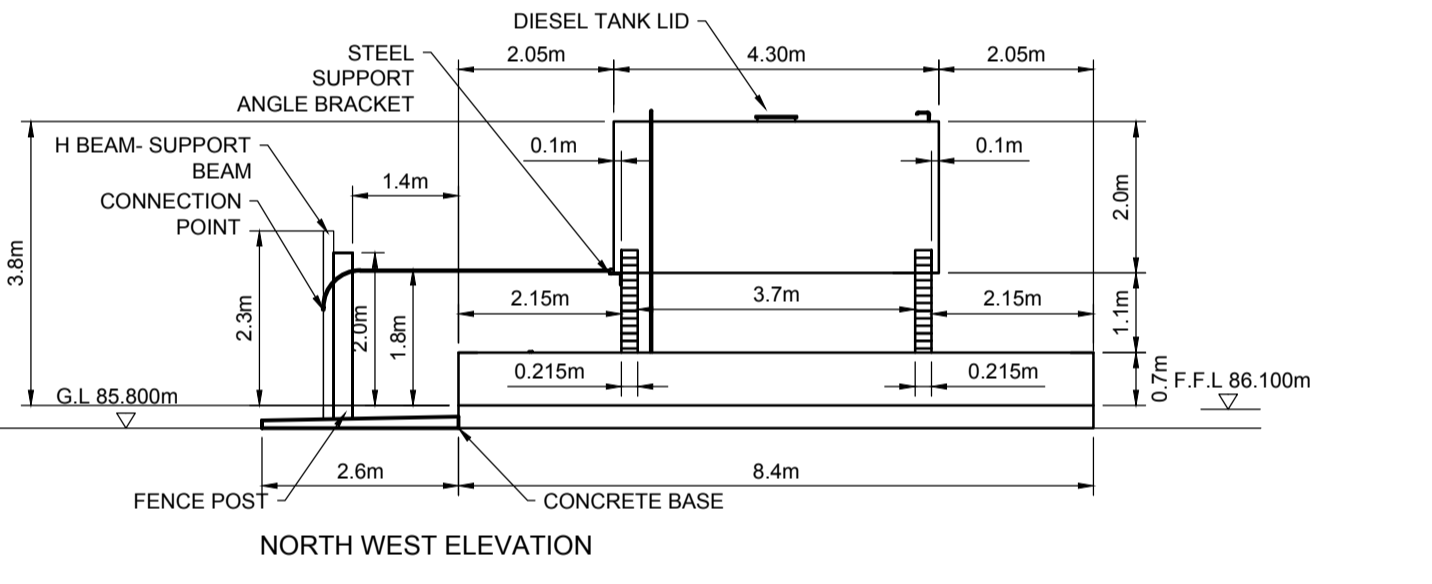
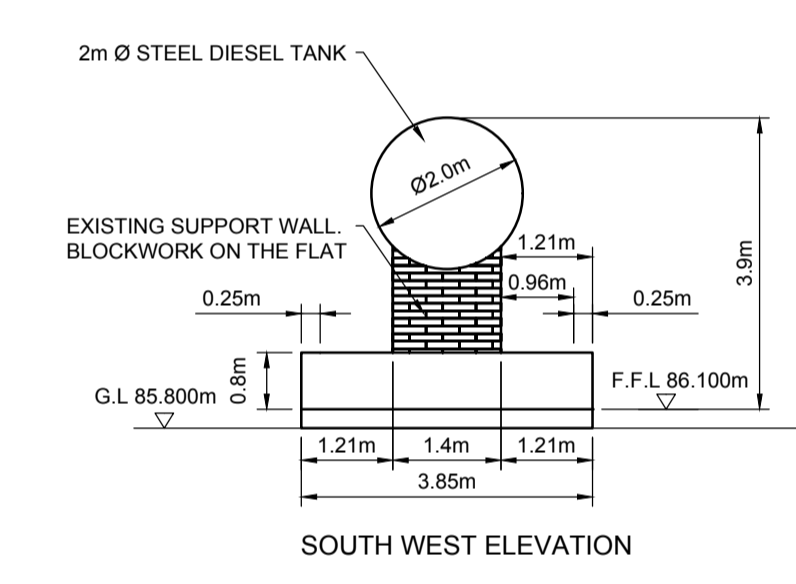
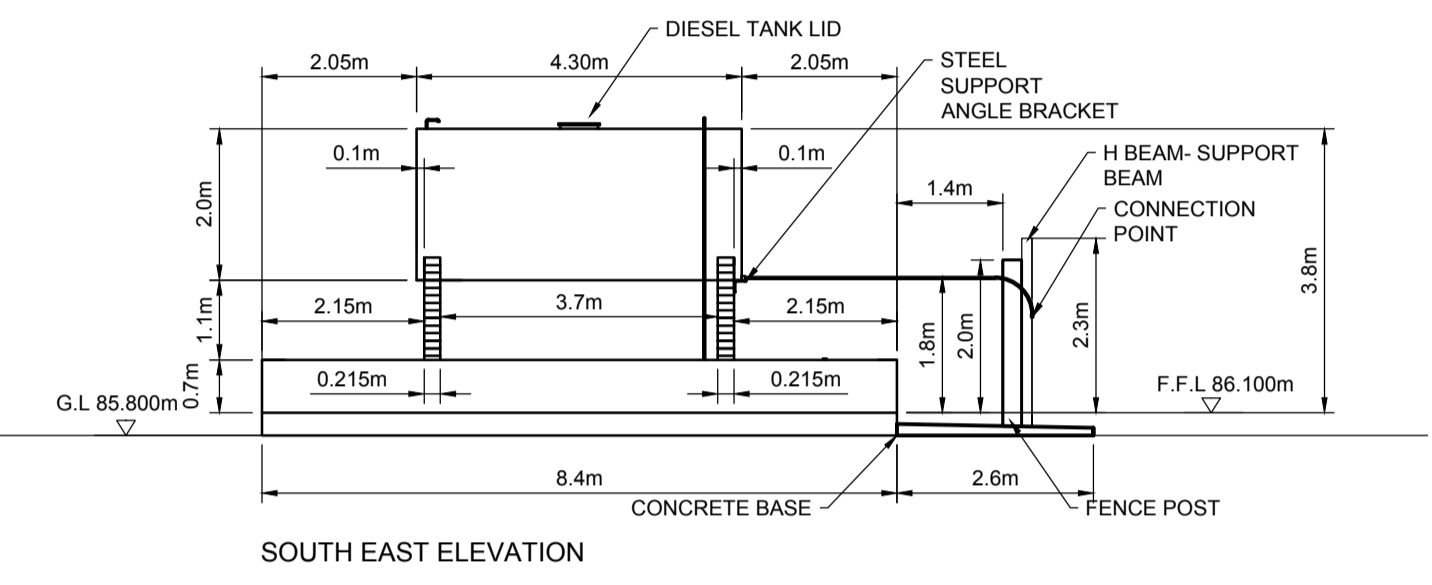
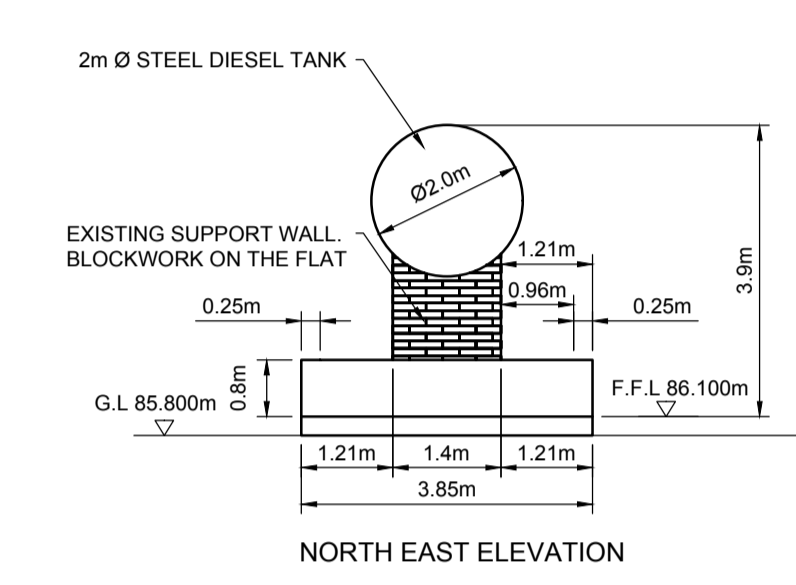
- NOTES:**
1. THIS DRAWING IS FOR PLANNING APPLICATION PURPOSES ONLY.
 2. DRAWING NOT TO BE SCALED. FIGURED DIMENSIONS ONLY TO BE USED.
 3. ALL LEVELS TO MALIN HEAD METRES ABOVE DATUM



EXISTING RAISED BUNDED DIESEL TANK
SCALE 1:100



OIL STORAGE BUNDED CONTAINER DB03
SCALE 1:100



EXISTING BUNDED DIESEL TANK
SCALE 1:100

Project: **SUBSTITUTE CONSENT APPLICATION
DERRINBOG BOG, CO OFFALY**

REVISION	By	Date	Chk'd

Title: BUILDINGS AND STRUCTURES	
Dimensions in: METRES	<p>BORD NA MÓNA Naturally Driven Bord na Móna Engineering Department LEABEG, TULLAMORE CO. OFFALY Tel: 057 9345900 Fax: 057 9345180</p>
Scale: 1:100 @ A1	
Drawn By: SD	03/03/2020
Checked By: PN	04/03/2020
Approved By: DK	21/05/2020
Drawing No: SC-0500-DB-DR006	Revision: 2
Sheet 2	of 2